

AD3L



Linear motor drive high speed die-sinker EDM

sodick AD3L Die-Sinker EDM

- Linear scale (X / Y / Z axis)
- Linear motor cooling unit
- Dielectric fluid cooling unit
- SVC circuit
- SEC-10 (C axis unit)
- Shuttle ATC
- Clamping chuck
- RS232C + LAN

Technical Data

X / Y / Z axis travel (mm)	300 x 250 x 250
Table dimension (mm)	600 x 400
Worktank dims (mm)	925 x 555 x 300
Dielectric level (min – max, mm)	100 – 250
Work tank capacity	145 l
Max. workpiece weight (kg)	550
Max. electrode weight (kg)	50
Distance from floor to table top (mm)	810
Machine tool dimensions (W x D x H mm) Incl. power supply and dielectric tank)	1,870 x 1,955 x 2,315
AJC speed	X, Y axis max 5 m/min;
Max. speed Z axis (m/min.)	36
Machine weight (kg)	3,200
Air pressure	(Automatic Clamping chuck 0.65 MPa)
Air flow	100 NL/min

Dielectric tank

External dimensions (W x D x H, mm)	800 x 1,705 x 2,125
Weight (empty, kg)	840
Dielectric fluid	oil
Capacity (l)	400
Filtration method	Replaceable paper filter (MF-240)

CONTACT

Sodick Europe Ltd.
Rowley Drive, Baginton
Coventry, CV3 4LS
United Kingdom
Phone +44(0)2476214314
Fax +44(0)2476305680

Sodick Deutschland GmbH
Zentrale
Robert-Bosch-Str. 30
D - 71106 Magstadt
Phone +49 (0) 71 59 16 76 - 0
Fax +49 (0) 71 59 16 76 - 21

Sodick Contact
E-Mail: europe@sodick.eu.com
Internet: www.sodick.org

Sodick

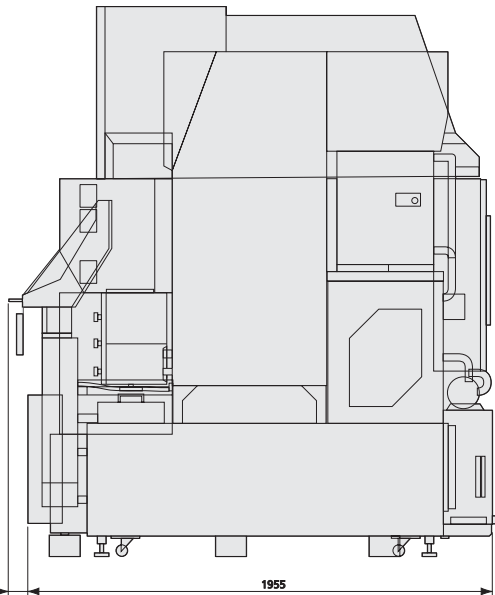
AD3L



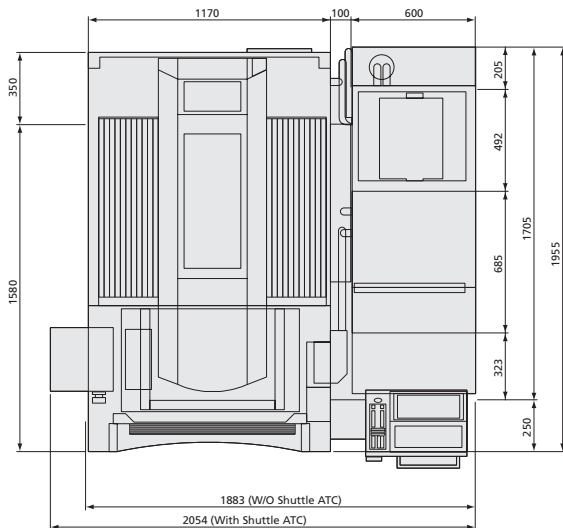
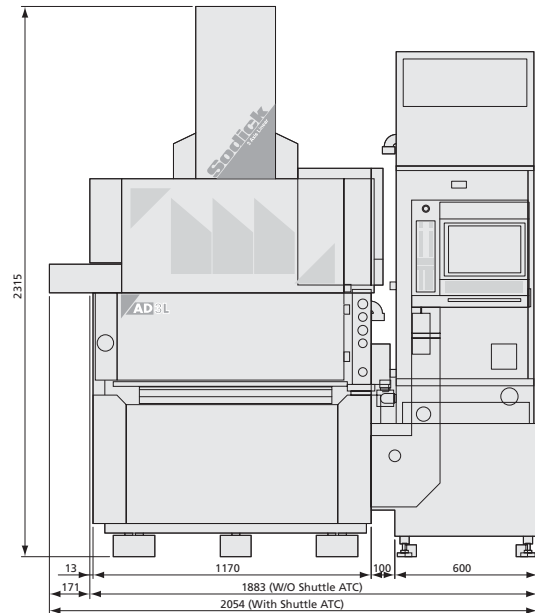
Linear motor drive high speed die-sinker EDM

sodick AD3L Die-Sinker EDM

Side view



Front view



Top view

Working table

CONTACT

Sodick Europe Ltd.

Rowley Drive, Baginton
Coventry, CV3 4LS
United Kingdom
Phone +44(0)2476214314
Fax +44(0)2476305680

Sodick Deutschland GmbH

Zentrale
Robert-Bosch-Str. 30
D - 71106 Magstadt
Phone +49 (0) 71 59 16 76 - 0
Fax +49 (0) 71 59 16 76 - 21

Sodick Contact

E-Mail: europe@sodick.eu.com
Internet: www.sodick.org

Sodick